



4x4 AND OUTDOOR GEAR



www.ironman4x4.com



BULL BARS

Australian Designed and Engineered Bull Bars

- Airbag compatible
- Compatible with vehicle safety systems
- ADR certified and tested
- Designed using 3D scan technology
- Made from highest quality SPHC grade steel (except Premium Alloy Bar)
- CNC laser cut and robot welded
- Powdercoated with AKZO NOBEL powder
- LED parker / indicator included
- Aerial and light mounts
- Winch compatible



Commercial
50mm loop bar



\$1265

Commercial Deluxe
50mm loop bar with fog lights



\$1520

Protector
75mm and 50mm loop bars



\$1650

Premium Alloy
75mm and 50mm loop bars



\$2080

Premium Deluxe
60.3mm loop bar with fog lights

\$1680



Proguard No Loop
Single or triple loops available



\$1380

Single Loop Option
with overrides



\$250

Triple Loop Option
with overrides



\$300



All prices quoted do not include freight or fitting
Prices quoted are subject to change without notice
Some products may vary depending on vehicle model

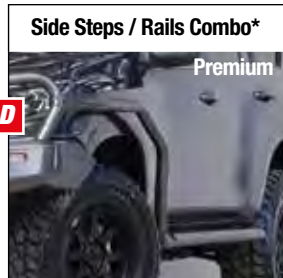


RECOVERY POINTS, SIDE STEPS AND RAILS



SIDE STEPS AND RAILS

- Steel construction with black powdercoated finish
- Checkerplate step treads
- Available in standard 50mm or heavy duty premium 60.3mm tube (Premium not available on all models)
- Airbag compatible



RATED RECOVERY POINTS

- NATA tested and approved
- Compatible with 4.7T shackle
- Designed to complement your Ironman 4x4 bull bar
- Supplied as a pair



RECOVERY POINTS TO SUIT

Ford Ranger / Everest and Mazda BT50 2011+	\$195
Nissan NP300 / D40 Navara 2005+	\$110
Mitsubishi MQ Triton 2015+	\$180
Toyota Hilux / Fortuner 2015+	\$110
Toyota 79 Series Landcruiser 2007+	\$200
Toyota 200 Series Landcruiser 2007+	\$185

A Side Steps Standard 50mm tube	\$715
C Steps / Rails Combo Standard 50mm tube	\$860
B Side Steps Premium 60.3mm tube	\$785
D Steps / Rails Combo Premium 60.3mm tube	\$950

All prices quoted do not include freight or fitting
Prices quoted are subject to change without notice
Some products may vary depending on vehicle model



**STRONG
COMFORT
CANVAS**



**WATER
RESISTANT**



CUSTOM FIT



**FLAME
RETARDANT**



**LONG LASTING
QUALITY**



**MAXIMUM
VEHICLE SEAT
PROTECTION**

Airbag Compatible Canvas Seat Covers

Rear Bench Seat Canvas Seat Covers



Tailor made comfort, and suitable for vehicles with or without side airbags

- Vehicle specific tailored fit
- Certified side airbag compatible
- 12oz, 100% cotton natural fibre canvas
- Foam backed for extra comfort and protection
- Lumbar support control access
- Built-in map pockets

Front \$370 pair

Rear \$370 set



AIRFORCE SNORKEL



Airforce Snorkels are designed and tested in Australia

- Raised air intake for cleaner air and safer water crossings
- UV stabilised polyethylene (LLPDE)
- Ram head with built-in rain deflector
- Increased airflow for improved performance
- Dyno tested for improved air intake

Snorkel Mesh



\$35

**Snorkels
\$340**



\$24

Universal Seat Covers

- 100% Nylon universal fit
- Resists mud/grease/water
- Washable



MONSTER WINCH

- Designed to fit most winch compatible bull bars on the market
- 9500lb or 12000lb with synthetic rope or steel cable
- High speed balanced motor with sealed bearings
- Repositionable clutch handle
- IP68 rated
- External remote motor breather
- Integrated anti-tamper power cut off
- Fully sealed competition style solenoid
- All in one wireless/plug in controller with LED torch

WINCHES



Steel Cable with Roller Fairlead



Synthetic Rope with Alloy Fairlead

Competition Style Solenoid



External Remote Breather



Wireless/Plug-in Controller



Winch Damper



A	9500lb Winch With steel cable, roller fairlead	\$795
B	12000lb Winch With steel cable, roller fairlead	\$895
C	9500lb Winch With synthetic rope, alloy fairlead	\$999
D	12000lb Winch With synthetic rope, alloy fairlead	\$1099



All prices quoted do not include freight or fitting
Prices quoted are subject to change without notice
Some products may vary depending on vehicle model



DRIVING LIGHTS AND LIGHT BARS

CURVED LED Light Bars



\$420

37" - 942mm - 180W
12600 Raw lumens

\$330

28.5" - 722mm - 135W
9450 Raw lumens

\$245

19.5" - 500mm - 90W
6300 Raw lumens

STRAIGHT LED Light Bars



3150 Raw lumens **\$158**
11" - 279mm - 45W

LED Light Bars

- CREE LEDs
- Multi-Voltage - 10-30Vdc
- IP67 and IP69K rated

6300 Raw lumens **\$210**
19.5" - 500mm - 90W

9450 Raw lumens **\$295**
28.5" - 722mm - 135W



\$385

37" - 942mm - 180W
12600 Raw lumens

16W Universal LED Light

- 4 x 4W CREE LED
- 80mm (3") long
- 16W beam
- 720 lumens

\$65

spot beam

10W LED Work Light

- IP67 and IP69K rated
- 840 raw lumens
- 2 x 5W CREE LEDs
- 10 - 80Vdc operating voltage

\$42



30W Universal LED Light

- 3 x 10W CREE LED
- 30W spot flood beam
- 180mm (7") long
- 2700 lumens

\$175

These modular light bars can be joined in many different combinations



flood beam

\$198 ea



\$175 ea

LED 7" or 9" Comet Driving Light

- 30W CREE LED
- 4000 raw lumens
- IP67 and IP69K rated
- Operating voltage 9-30Vdc

LED 7" Blast Spot or Spread Driving Light

- 48W CREE LED
- 16 x 3W high output LED chips
- 4800 raw lumens
- IP67 and IP69K rated
- Operating voltage 9-30Vdc

\$220 ea

7" OR 9" LED Driving Light Covers

- Made from shatterproof thermoformed polycarbonate plastic
- Protects driving light from impact damage

7" **\$17.50 ea**

9" **\$22 ea**

Clear: Protective Cover
Amber: Fog

Blue: Snow
Black: Block out



SUPERNOVA

- High Intensity Discharge
- 35W H11 HID
- 9" (220mm)

\$247.50 ea



Vega 220

- Halogen
- 100W H1 Halogen
- 9" (220mm)

\$120 ea



Gamma 175

- Halogen
- 100W Halogen
- 7" (175mm)
- Spread or pencil beam

\$129 per pair



All prices quoted do not include freight or fitting
Prices quoted are subject to change without notice
Some products may vary depending on vehicle model



AUTO ELECTRICS

DUAL BATTERY SYSTEMS

Battery Tray

- Folded steel construction
- Black powdercoated finish
- Includes mounting hardware **From \$160**



Electric Brake Controller

- Easy adjustment dashboard dial
- Remote hideaway control box
- Mountable at any angle
- Push button override function
- Dual axle capability

\$189



Auto Headlight On Kit

- Lights on when vehicle ignition is switched on
- 10 second delay at ignition
- Delay on exit. When the ignition is turned off the lights will stay illuminated for 10 sec

\$199.50



Low Water Alarm

- Dash warning light and alarm
- Instant warning of engine coolant loss
- To suit 12 / 24V systems
- Suits plastic or metal header tanks



\$210



\$475

40A DC to DC Battery Charger

- 3-stage 12V booster charger
- Remote charge status LED indicator
- Very low standby current <3mA
- Optional start assist and boost charge features increased amperage output to 80 amp max

\$132

Start Assist Booster Kit

- Automatic emergency vehicle start
- Boosts DC to DC charger output to 80 amp



275 Amp Dual Battery Manager

- Automatic operation with manual override
- Includes in-dash switch

\$240

140 Amp Dual Battery Manager

- Fully automatic
- Dual voltage 12 / 24V

\$95

12V Digital Battery Monitor

- Can be used on dual or single 12V battery setups
- Auto dimming display

\$145

LED Dual Battery Monitor

- Displays main and AUX battery voltages
- Auto dimming display

\$155



All prices quoted do not include freight or fitting
 Prices quoted are subject to change without notice
 Some products may vary depending on vehicle model



Rear Protection Tow Bar Plates

- Provides additional grip when using as a step
- steel construction, textured black powdercoated finish



From \$110

TOWING ACCESSORIES

Tow Bar Wiring Looms

- German made
- CAN bus compatible
- Plug and play
- OEM style connectors
- Includes 7 pin flat plug

From \$126



Heavy Duty Tow Bars

- Compatible with factory rear bumper
- Dynamic and static testing to 3500kg
- Complete with tow hitch, pin and 50mm 3500kg tow ball



Tow Bars



\$484



REAR PROTECTION TOW BAR * **\$1075**

- Meets ADR and Australian towing standards
- Dynamic and static testing to 3500kg
- Includes tow hitch, pin, 50mm 3500kg tow ball and anti rattle bolt
- Protected trailer plug location
- Protected location for Anderson plug
- LED numberplate lights
- Side rear quarter protection
- Constructed from 4mm steel, with 8mm tow bar sub frame

*Selected models only, check in-store for clarification

*Prices do not include colour coding on rear protection tow bars

All prices quoted do not include freight or fitting
Prices quoted are subject to change without notice
Some products may vary depending on vehicle model



PINNACLE CANOPY

WITH CENTRAL LOCKING REAR WINDOW



- Reinforced structured design
- Roof load rating of 80kg
- Roof Rails
- Internal sliding front window
- Built from vinyl ester fiberglass
- Colour coded - limited range
- Smooth finish
- Battery LED internal light
- Large access windows
- Tinted windows
- Over lip mounting - for water and dust protection



CANOPIES

THERMO-PLAS CANOPY

\$3300



- Central locking available for some models
- In-built metal supporting frame
- Marine carpet lining
- Built from 9mm ABS plastic
- Colour coded - limited range
- Plug and play wiring loom
- Rear LED stop light available for some models
- Smooth finish
- Lockable, tinted lift up windows
- Available for 4x2 and 4x4 dual cab models

All prices quoted do not include freight or fitting
 Prices quoted are subject to change without notice
 Some products may vary depending on vehicle model



Ute Liner

- No drill installation
- 3mm tough polyethylene
- UV stabilised

\$410



Wing Kits

- Vehicle specific design
- Lift out panels for easy storage access
- 12mm marine grade ply
- Black powdercoated finish on steel front fascia

G 900mm and 1000mm L Wing Kits **\$250**

H 1300mm L Wing Kits **\$325**



DRAWER SYSTEMS AND UTE LINER



Twin Drawer Systems

- Fully assembled
- Complies to ADR3/02, ADR 34/01 and ADR42
- 200kg combined drawer rating
- Child seat restraint points
- Galvanised steel construction and lined with marine carpet
- T-Lock lockable handles

A 900mm Twin Drawers 900 L x 970 W x 275mm H **\$1150**

B 1000mm Twin Drawers 1000 L x 1020 W x 275mm H **\$1210**

C 1300mm Twin Drawers 1300 L x 970 W x 275mm H **\$1360**



Single Drawer System

D 900mm Drawer 900 L x 485 W x 275mm H **\$710**

E 1000mm Drawer 1000 L x 510 W x 275mm H **\$725**

F 1300mm Drawer 1300 L x 785 W x 275mm H **\$825**

All prices quoted do not include freight or fitting
 Prices quoted are subject to change without notice
 Some products may vary depending on vehicle model



Weatherproof Rooftop Cargo Bags



D	500L Rooftop Bag 1500L x 1100W x 300mm D	\$260
E	250L Rooftop Bag 1100L x 800W x 300mm D	\$189
F	600L Rooftop Bag 1800L x 1100W x 300mm D	\$280
G	350L Rooftop Bag 1200L x 960W x 300mm D	\$220
H	200L Rooftop Bag 1400L x 500W x 300mm D	\$168

- Weatherproof, reinforced tear resistant fibre, constructed from 500D PVC tarpaulin
- Velcro water resistant zipper overlap provides protective shield from weather
- Heavy duty webbing straps, zips and UV50+ buckles
- Additional straps and buckles at the front reduce flapping and wind noise
- Advanced water resistant welded seams

ROOFTOP BAGS AND ROOF RACKS



A
Cage Rack



B
Steel Rooftop Tent Rack



C
Trade Rack

Roof Rack Mounting Kits

- Durable powdercoated black finish
- Suits all steel and alloy racks
- Gutter mounting kits available in various heights

From \$158



Alloy Roof Rack

Steel Roof Racks

- Strong steel construction
- Reinforced mesh
- Durable black powdercoated finish

*Spare wheel mount on cage and trade style

A	1.4m Cage Rack 1.4 m x 1.25m	\$625
A	1.8m Cage Rack 1.8 m x 1.25m	\$655
A	2.2m Cage Rack 2.2 m x 1.25m	\$680
B	1.8m Rooftop Tent Rack 1.8 m x 1.25m	\$625
B	2.2m Rooftop Tent Rack 2.2 m x 1.25m	\$655
C	1.8m Trade Rack 1.8 m x 1.25m - Open End	\$625
C	1.8m Trade Rack 2.2 m x 1.25m - Open End	\$650

Alloy Roof Racks

- Reinforced aluminium mesh
- Durable gunmetal grey powdercoated finish
- 60% weight saving over steel

A	1.4m Cage Rack 1.4 m x 1.25m	\$790
A	1.8m Cage Rack 1.8 m x 1.25m	\$925
A	2.2m Cage Rack 2.2 m x 1.25m	\$975
C	1.4m Trade Rack 1.4 m x 1.25m - Open End	\$780
C	1.8m Trade Rack 1.8 m x 1.25m - Open End	\$910
C	2.2m Trade Rack 2.2 m x 1.25m - Open End	\$955

All prices quoted do not include freight or fitting
Prices quoted are subject to change without notice
Some products may vary depending on vehicle model



**GO FURTHER
WITHOUT RE-FUELING**



**Long Range
Fuel Tanks**

- 5-Day pressure tested
- 2mm Aluminised steel
- Internal baffles
- Black powdercoated finish



\$950

**SALES & FITTING
AUSTRALIA WIDE**
THROUGH AUTHORISED OUTLETS



**UNDERBODY
UBP
SERIES PROTECTION**

- 2.5-3mm pressed and folded steel
- Easy bolt-on installation
- Semi gloss black powdercoated finish



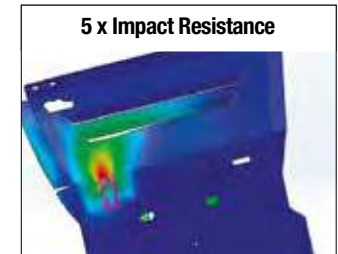
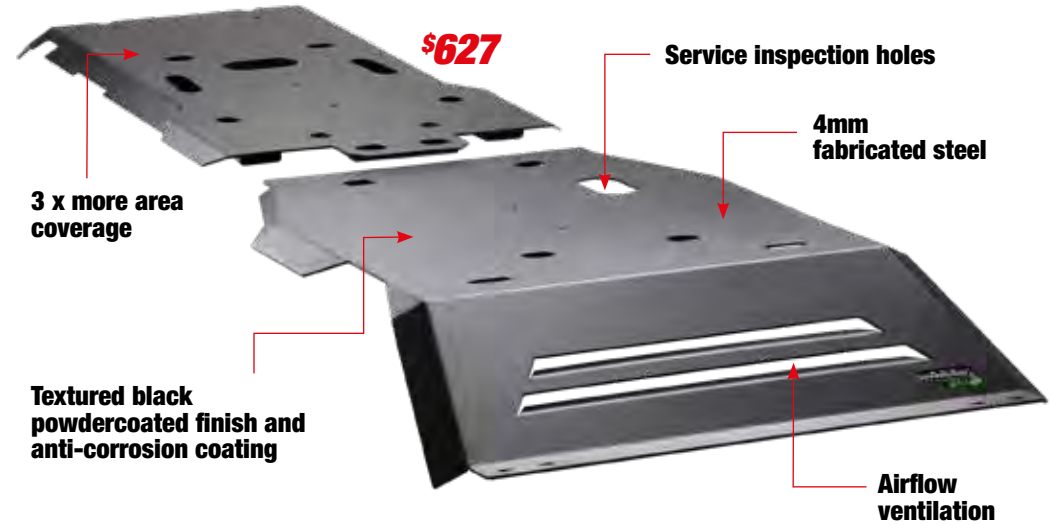
Available for: Plates From \$110 Kits From \$325

- | | |
|------------------------------------|---------------------------|
| Ford Ranger / Mazda BT50 2007-2011 | Nissan Patrol Y61 |
| Ford Ranger / Mazda BT50 2011+ | Range Rover Sport 2005+ |
| Ford Everest 2015+ | Suzuki Grand Vitara 2005+ |
| Holden Colorado / Rodeo 2002-2012 | Toyota FJ Cruiser 2007+ |
| Isuzu D-Max 2007 - 2012 | Toyota Hilux 2005 - 2015 |
| Landrover Discovery 3 and 4 | Toyota Landcruiser 200 |
| Mitsubishi Pajero 2000+ | Toyota Prado 120 |
| Mitsubishi Triton ML/MN/MQ | Toyota Prado 150 |
| Nissan Navara D22 (DIESEL) | Volkswagen Amarok 2009+ |
| Nissan Navara D40 | |

TANKS AND UNDERBODY PROTECTION

**UNDERBODY
UBP
SERIES PROTECTION**

THE PREMIUM UNDERBODY PROTECTION SOLUTION TO SAFEGUARD AGAINST OFF-ROAD DAMAGE FROM ROCKS, STUMPS AND GROUND STRIKES



Available for:
Ford Ranger PX/PXII 2011+
Ford Everest 2015+
Holden Colorado 2011+
Holden Colorado 7 2011+
Isuzu D-Max 2011+
Isuzu MU-X 2012+

Mazda BT50 2011+
Mitsubishi Triton MQ 2015+
Nissan Navara NP300 2015+
Toyota Hilux 2005+
Toyota Fortuner 2015+



All prices quoted do not include freight or fitting
Prices quoted are subject to change without notice
Some products may vary depending on vehicle model



SUSPENSION KITS

SUSPENSION KITS

MODEL	Type	Nitro Gas Kit	Foam Cell Kit	Foam Cell Pro Kit
TOYOTA				
Landcruiser FJ/BJ 40, 42, 46	LL	\$1914	\$2134	\$2398
Landcruiser FJ45, 47	LL	\$2288	\$2508	\$2772
Landcruiser FJ/HJ 60,61,62	LL	\$1914	\$2134	\$2398
Landcruiser Bundera LJ 70/73	CC	\$880	\$1100	
Landcruiser FJ/HJ/HZJ 75	LL	\$2156	\$2376	\$2640
Landcruiser HZJ 76	CL	\$1738	\$1958	\$2222
Landcruiser HZJ 78/79	CL	\$1848	\$2068	\$2332
Landcruiser HJ/HZJ 80, 105	CC	\$880	\$1100	\$1364
Landcruiser Prado 90, 95	SC	\$990	\$1144	\$1496
Landcruiser Prado 120,150	SC	\$990	\$1144	\$1573
Landcruiser HDJ/UZJ 100 IFS	TC	\$1111	\$1331	\$1595
Landcruiser VDJ/UZJ 200	SC	\$1045	\$1199	\$1507
FJ Cruiser	SC	\$990	\$1144	\$1573
Hilux LN/RN/YN 65, 105, 106	LL	\$1650	\$1870	
4Runner LN 61/YN63	TL	\$1529	\$1749	
Hilux LN/RN/YN/VZN 130 V6	TC	\$946	\$1122	
Hilux LN/RN 107,110,111,167, SR5	TL	\$1012	\$1232	
Hilux 2005-2015	SL	\$1518	\$1672	\$2101
Hilux 2015+	SL	\$1562	\$1716	\$2068
Fortuner 2015+	SC	\$1012	\$1166	\$1595
NISSAN				
Patrol MQ/MK G160	LL	\$1980		
GQ SWB/LWB	CC	\$880	\$1100	\$1364
GQ Cab Chassis Y60 (Leaf)	LL	\$2200	\$2420	\$2684
GQ/GU Cab Chassis (Coil)	CC	\$891	\$1111	\$1375
GU Cab Chassis Y61 (Coil/Leaf)	CL	\$1639	\$1859	\$2123
GU Y61 Wagon	CC	\$891	\$1111	\$1375
Y62 Patrol	SC	\$1023	\$1177	\$1529
Navara D21	TL	\$1540	\$1760	
Navara D22	TL	\$1540		
Navara D40 / NP300 (Leaf)	SL	\$1518	\$1672	\$2024
Navara NP300 (Coil)	SC	\$1067	\$1221	\$1573
Pathfinder WD21/Terrano	TC	\$1012	\$1232	
Pathfinder R51	SC	\$990	\$1144	
HOLDEN				
Jackaroo UBS 25 & 69	TC	\$1012	\$1232	
Rodeo KB, TFS, RA, RA7	TL	\$1540		
Colorado 2007-2011	TL	\$1540	\$1760	
Colorado 2012+	SL	\$1639	\$1793	\$2145
Colorado 7	SC	\$990	\$1144	\$1496
ISUZU				
D-Max 2007-2011	TL	\$1540	\$1760	
D-Max 2012+	SL	\$1639	\$1793	\$2145
MU-X	SC	\$990	\$1144	\$1496

Achieve up to 50mm lift depending on model

MODEL	Type	Nitro Gas Kit	Foam Cell Kit	Foam Cell Pro Kit
FORD				
Courier	TL	\$1540	\$1760	\$2024
Everest	SC	\$1023	\$1177	\$1529
Ranger 2007-2010	TL	\$1540	\$1760	\$2024
Ranger 2011+	SL	\$1617	\$1771	\$2123
JEEP				
Cherokee XJ	CL	\$1518	\$1738	
Grand Cherokee ZG, ZJ	CC	\$880		
Wrangler TJ	CC	\$880		
Grand Cherokee WG, WJ	CC	\$880		
Cherokee Liberty KJ	SC	\$990		
Wrangler JK	CC	\$880		\$1364
LANDROVER				
Defender	CC	\$880	\$1100	\$1364
Range Rover/Discovery	CC	\$880	\$1100	\$1364
Discovery Series 2/Td5	CC	\$880	\$1100	
MAZDA				
Bravo	TL	\$1540	\$1760	\$2024
BT50 2007-2010	TL	\$1540	\$1760	\$2024
BT50 2011+	SL	\$1617	\$1771	\$2123
MERCEDES BENZ				
G Wagen	CC		\$1166	
G-Wagen G55	CC		\$1166	
X-Class	SC	\$1067	\$1221	\$1573
MITSUBISHI				
Pajero SWB/LWB (Coil)	TC	\$1540	\$1760	
Pajero SWB/LWB (Leaf)	TL	\$1012	\$1232	
Pajero NM - NX	SC	\$990		
L200/Triton ME - MK	TL	\$1540	\$1760	
Triton ML - MN	SL	\$1518	\$1672	
Triton MQ	SL	\$1650	\$1804	
Delica, L400	TC	\$1012		
Challenger PA	TC	\$1012	\$1232	
Challenger PB/Pajero Sport	SC	\$990	\$1144	
SUZUKI				
Sierra LJ, SJ	LL	\$1474		
Vitara / Grand Vitara	SC	\$1012		
Jimmy	CC	\$880		
VOLKSWAGEN				
Amarok	SL	\$1518		
OTHER MODELS				
Haval H9	SC	\$990	\$1144	
Hyundai Terracan	TC	\$1060		
JMC Vigus	SL	\$1518	\$1672	\$2024
LDV T60	SL	\$1661	\$1815	\$2167
Mahindra Pik-Up	TL	\$1529		
Mahindra Scorpio Wagon	TC	\$1023		
SsangYong Musso	TC	\$1144	\$1364	

Shock Absorber Selection



GRC
NITRO GAS COMFORT

GR
NITRO GAS

NITRO GAS SHOCK ABSORBER

Highly versatile performance upgrade from original shock absorbers.

- 35mm piston
- 54mm body
- 16mm piston rod
- Nitrogen gas pressurised
- Twin tube construction



FEC
FOAM CELL COMFORT

FE
FOAM CELL

FOAM CELL SHOCK ABSORBER

Larger size and capacity suitable for all conditions.

- 40mm piston
- 60mm body
- 18mm piston rod
- Foam cell technology
- Twin tube construction



FEC PRO
FOAM CELL PRO COMFORT

FE PRO
FOAM CELL PRO

FOAM CELL PRO SHOCK ABSORBER

Maximum size and most robust design suitable for all conditions.

- 45mm piston
- 65-72mm body
- 20mm piston rod
- Foam cell technology
- Twin tube construction



Leaf / Leaf (LL)



Coil / Coil (CC)



Strut / Leaf (SL)



Strut / Coil (SC)



Torsion Bar / Leaf (TL)



Torsion Bar / Coil (TC)



All prices quoted do not include freight or fitting
Prices quoted are subject to change without notice
Some products may vary depending on vehicle model



STRUT ASSEMBLIES

- Ideal for home installation or busy workshops
- Reduces installation time
- No spring compressor required

From **\$792** per set



Adjustable Trailing Arms Upper and Lower

To suit Toyota Landcruiser and Nissan Patrol

- Comp spec solid 32mm
- On car adjustable
- Rubber bushes



Upper **\$165** ea Lower **\$209** ea

Polyurethane Bush Kits

From **\$33** per set



ABS Wire Protection Bracket

To suit Nissan Navara D40

- Protects vulnerable ABS wire from rock damage

\$77 per kit



Load Plus

Helper Spring Kit

- Progressive and adjustable
- Maximises vehicle payload
- Improves safety and stability
- Economical leaf spring upgrade
- Ideal for light commercial vehicles 4X4's, utes and vans
- DIY installation

\$132 per set



TUV
APPROVED

SUSPENSION

COIL SPRINGS

LEAF SPRINGS

Ironman 4x4 design and produce a range of coil and leaf springs to facilitate additional load and lift



From **\$330** per set

From **\$198** per set

Greasable Shackles

From **\$44** ea



STRUT MOUNT

- Fully OEM compatible
- Shore A 80 Duro NR bushes and insulators
- Heavy duty washers

From **\$66** ea



ADD-A-LEAF

Ironman 4x4 Add-a-Leaf is a simple, cost effective addition to boost your existing leaf springs

- Maximises vehicle payload
- Improves handling and comfort
- Increases ride height

\$132 per set



All prices quoted do not include freight or fitting
Prices quoted are subject to change without notice
Some products may vary depending on vehicle model



Toyota Landcruiser
78 Series (Troop Carrier)
79 Series (Single/Dual Cab) 2007+
Suspension GVM Upgrade

\$3192 *Plus installation
*Plus engineering sign off fee, post
registration only



Landcruiser Owners

**LEGALLY CARRY 600KG
MORE PAYLOAD!**

**CERTIFIED
3900 KG
GVM
IN AUSTRALIA**



(CPA45466) - Toyota Landcruiser 78/79, Troop Carrier, Single Cab, Dual Cab 2007+ Installation only available at Authorised Ironman 4x4 Facilities
*Subject to state compliance

Hilux Owners

**LEGALLY CARRY 500KG
MORE PAYLOAD!**

**CERTIFIED
HEAVIEST
IN AUSTRALIA
3510kg GVM**



Toyota Hilux Gen 8 2015+
Toyota Hilux 150 Series (Diesel) 2005 - 2015
Suspension GVM Upgrade

(CPA44780) - Hilux Diesel 2005 - 2015 (CPA48310) Hilux Diesel Gen 8 2015+ Dual Cab, Single Cab, Extra Cab, Cab/Chassis
Installation only available at Authorised Ironman 4x4 Facilities
*Subject to state compliance

**LEGALLY CARRY 300KG
MORE PAYLOAD!**

**CERTIFIED
3500 KG
GVM
IN AUSTRALIA**



(CPA47511) - Ford Ranger 2011+ PX and PXII, Dual Cab, Single Cab, Extra Cab, Cab/Chassis Installation only available at Authorised Ironman 4x4 Facilities
*Subject to state compliance

Ranger Owners

Ford Ranger 2011+ PX / PXII
Suspension GVM Upgrade

From \$3096 *Plus installation
*Plus engineering sign off fee, post
registration only



\$3140 *Plus installation
*Plus engineering sign off fee, post registration only





RECOVERY ACCESSORIES

Large Recovery Kit

\$365

- 9m x 8000kg snatch strap
- 20m x 4500kg winch extension
- 3m x 12000kg tree trunk protector
- 5m x 8mm drag chain
- 2 x 4.7t bow shackles
- Snatch block
- Leather gloves
- Kit bag



Small Recovery Kit

\$195

- 9m x 8000kg snatch strap
- 2 x 4.7t bow shackles
- Rated recovery hitch
- Leather gloves
- Kit bag



Tree Trunk Protector

12000kg **\$48**

Snatch Straps

8000kg **\$79**

11000kg **\$105**



Winch Extension

4500kg **\$69**



Recovery Hitch



Recovery Hook



Tyre Lift Kit



Alloy Hawse

Synthetic Winch Rope

- 9.5mm x 27m

\$400



Bow Shackle



Snatch Block



Drag Chain



Leather Gloves



Bumper Lift Kit



Maxi Exhaust Jack **\$297**

- Inflate through exhaust or air compressor
- 750mm max lifting height

Total Traction by TRED

- Ultimate recovery traction aide
- Manufactured in Australia

All prices quoted do not include freight or fitting
Prices quoted are subject to change without notice
Some products may vary depending on vehicle model



COMPRESSORS, TYRE CARE, DIFF BREATHER

Compressors

- Portable 12V heavy duty compressor
- Can be mounted to vehicle or trailer
- Air hose with built in gauge
- Cast alloy cylinder housing
- Carry bag included



- 160L per minute with built in circuit protection



\$280



- 72L per minute with built in circuit protection

\$179



TYRE REPAIR KIT

- Emergency puncture repair
- No need to remove tyre
- Quick and easy to use

Self-Vulcanising Repair Cords sold separately

\$15



\$65

Universal Diff Breather Kit

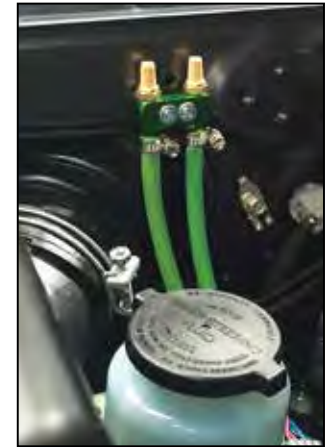
Suitable for Diff housings, transfer cases, gear boxes and winch motors

Kit contains:

- Twin breather manifold with brass filters and hose barbs
- 2 x barb fittings
- 10m oil resistant hose
- 4 x stainless steel hose clamps
- 2 x self drilling screws
- Cable ties



\$95



Tyre Gauge

- Accurate pressure gauge
- Holds pressure when removed



\$24



- USA Patented
- Easy to read accurate pressure gauge
- Corrosion resistant



\$69

HIGH VIS FLAG

- Quick disconnect
- 300mm x 290mm Flag
- Designed to meet Australian safety flag requirements



\$125.50



All prices quoted do not include freight or fitting
 Prices quoted are subject to change without notice
 Some products may vary depending on vehicle model



Ice Cube

FRIDGE / FREEZER

FRIDGES / FREEZERS



\$765

\$840

\$925

30L, 40L and 50L

Spring Loaded Handle



3 Internal LED Lights



Front and Top Display



**Dual Compartment
Dual Control
\$1365**



**65L
CAPACITY**

**74L
CAPACITY**

\$1260

Large Capacity



All fridges have SECOP (formerly DANFOSS) compressors

- Digital control panel
- Super bright internal LED light
- AC/DC connection
- Three stage battery protection
- Multi-voltage DC 12 - 24v and AC 100 - 240v
- High efficiency, low current draw
- Max and economy modes

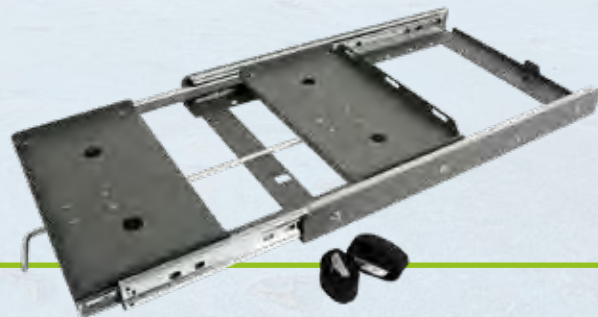
Fridge Slides

- 100kg rating
- Lock in and lock out slide
- Includes four tie down straps
- DIY installation

30/40 and 50L \$250

65/74L \$345

Note: Designed to suit Ironman 4x4 Fridges, may suit other fridges of similar dimensions.



Fridge Stand

- Aluminium frame
- 100kg weight capacity
- Adjustable height
- Non slip rubber
- Adjustable, levelling feet

\$48



Fridge Bags

- Extra insulation
- Side pockets

30/40L \$95

50L \$100

65/74L \$125



Fridge Straps

- Lashing capacity of 75kg
- Four x 2 piece set

\$28.50



Wireless LCD Fridge Thermometer

- Displays internal and ambient temperatures wirelessly
- Up to 50m transmission

\$28



All prices quoted do not include freight or fitting
Prices quoted are subject to change without notice
Some products may vary depending on vehicle model



AWNING AND ROOFTOP TENT

LED

Instant Awning

- Premium 280gsm Ripstop UV50+ rated poly cotton canvas
- Flexible nylon joints
- Twist lock poles
- Integrated LED light strip with dimmer
- Reflective guy ropes
- 1000D PVC cover

Flexible nylon joints



280gsm ripstop canvas



Integrated LED light strip



Reflective guy ropes



Dimmer for light strip



\$295
2.5m L x 2.5m Out

\$270
2.0m L x 2.5m Out

\$245
1.4m L x 2.0m Out

Awning Room Enclosure

- Fully enclosed extra room with removable floor for easy cleaning
- Integrated ceiling to help control temperature and reduce condensation
- All openings with insect mesh and internal covers

Sizes:
2.0m Long x 2.5m Out
2.5m Long x 2.5m Out
1.4m Long x 2.0m Out

From \$420



Awning Mosquito Net

- Four sides plus enclosed ceiling

Sizes:
2.0m Long x 2.5m Out
2.5m Long x 2.5m Out
1.4m Long x 2.0m Out

From \$155



Luxury Rooftop Tent

- Premium 280gsm Ripstop poly cotton canvas, waterproof and breathable
- "Climate cover" flysheet controls temperature, reduces condensation
- All openings with insect mesh and internal covers
- 65mm high density luxury foam mattress
- Heavy duty 1000D waterproof transport cover
- Lightweight aluminium and insulated floor
- 1.4m wide x 2.4m long x 1.3m high (Int. dimensions)
- Heavy duty YKK zips



\$1295



Roof Tent Bag

- 1000D waterproof PVC with heavy duty stitching and YKK zips
- Easy to attach and use via any sail track
- Off ground storage

\$33



Comes complete with all tools and step by step instructions required for easy installation

Annex (sold separately)

- Easily zips onto the main tent
- Built in 1000D waterproof removable floor
- All openings with insect mesh and internal covers
- Extension kit available

\$310



All prices quoted do not include freight or fitting
Prices quoted are subject to change without notice
Some products may vary depending on vehicle model



WATER TANKS

- Built from UV stabilised polyethylene (LLDPE)
- BPA Free, and FDA approved

40L Vertical Tank
1100 W x 75 D x 700mm H*

\$275

50L Wheel Arch Tank
1215 W x 120 D x 590mm H*

\$275

40L Double Jerry Can
465 W x 340 D x 335mm H

\$165

20L Jerry Can
350 W x 170 D x 460mm H

\$85



\$215
50L Tapered Tank
1050 W x 200 D x 390mm H*

\$220
60L Tank
845 W x 360 D x 270mm H*

\$275
50L Roof Rack Tank
1200 W x 600 D x 120mm H*

*Includes height of screw cap

\$45
1.5m clear hose
with tap

Diesel BIG BORE Exhaust

From **\$1300**



*Not included in Navara D40 550. Check with your local distributor for model specifics. Not compatible with DPF systems

Australian Made

- 3" mandrel bent exhaust systems
- Includes dump pipe*
- Specific diesel catalytic converters
- Stainless steel flex bellows
- Includes resonator
- Includes internal baffles
- Complete mounting kit included
- 1.6mm wall aluminised steel
- Easy to fit

WATER TANKS, EXHAUST AND MINING

MINING AND FLEET



Safety Triangle

- Set of 3 heavy duty triangles
- High visibility
- Complies with Australian standards AS3790-1992

\$79



Wheel Chocks

- Includes storage rack
- Textured surface to prevent slipping

\$99

High Mount Flag with Red LED

- Available in 1.8m and 2.4m



1.8m **\$135**

2.4m **\$140**

Battery Isolator / Jump Start

- Heavy duty design
- Includes Anderson plug connection

\$275



LED Hi-Vis Light Bar

- Reverse alarm
- Strobe style LED beacon
- Stop, tail, indicator and reverse function

\$415





LED Tent Light

- 24 x premium white LED's
- Fully charged batteries last 30 hours



\$12.60

LED Lantern

- 80m beam distance with bright white CREE LED's
- Multi-function: White light, red light and small LED's
- Includes a flashing S.O.S operation on both white and red lights



320 LUMENS

\$31.50

PORTABLE LED LIGHTING AND CAMPING



135 PIECE KIT

\$189

\$99

65 PIECE KIT

First Aid Kits

- Innovative fold out pouch system to quickly administer first aid for many types of injuries, including:
 - CPR
 - Burns
 - Small wounds
 - Medium wounds
 - Large wounds
 - Snake bite kit
 - Sprains and fractures
- For use in a range of environments including: 4WD, camping, home, office, warehouse, factory, construction site, car, caravan, boat, and backpack.



\$47.25

12V LED Light Strip

- 1.2m LED light strip
- 3m wire with 12V plug and switch
- Cigarette socket with battery clips

LED Sensor Headlamp

- CREE LED's
- Manual or sensor operation
- 120m beam distance



\$15.75

LED Light Dimmer

- Adjust brightness of LED light strips



220 LUMENS

\$31.50



50 LUMENS

LED Tent Fan **\$52.50**

- Two speed fan with foam blades
- 3 light functions, high, low and night light
- Energy efficient CREE white LED



420 LUMENS

LED Work Light Combo

Features of both lights:

- Magnet for positioning light in work area
 - 2 x brightness options, plus a torch function
- Features of larger light:
- USB rechargeable work light

\$61.95

80 LUMENS



180 LUMENS

\$36.75

Mini LED Lantern

- Swivel light operation to make a torch or lantern
- Max 180 lumens
- High or low light



200 LUMENS

\$36.75

Mini LED Lantern

- Use as a lantern or a torch
- 2 brightness settings, as well as an S.O.S flashing function
- 80m beam distance with CREE LED's



Hand Cleaner

- Use with or without water
- Soap free and Ph balanced
- Removes dirt, grease, grime, oil and ink.

\$9.90



\$35

First Aid Kit

- Suitable for most first aid applications
- Heavy duty plastic carry case
- 32 piece kit

All prices quoted do not include freight or fitting
Prices quoted are subject to change without notice
Some products may vary depending on vehicle model



CAMPING ACCESSORIES

Deluxe Hard Arm Chair

- Rear locking tabs lock chair open or closed
- Strong and durable solid arms with high strength steel frame
- Integrated side drink holder



\$75

Deluxe Lounge Camp Chair

- With extra comfort padding
- Integrated drink holder pocket
- Wide design



\$85



150kg
WEIGHT CAPACITY

Mid Sized Low Back Camp Chair

- Compact design
- Ideal for juniors
- Opens and folds in seconds



\$42



130kg
WEIGHT CAPACITY

Deluxe Soft Arm Chair

- Soft durable arms with high strength steel frame
- Integrated drink holder and insulated pocket in arm
- Handy side utility pocket



\$63

Quick-Fold Table

- Height adjustable
- Carry bag included
- Rated at 50kg

\$96.60



Quick-Fold Camping Steps

- Non slip glow in the dark treads
- Quick-click double locking legs
- Can be used as entry mat

\$49.50



Swags

- Single and double dome sizes
Single: 900mm x 2100mm
Double: 1350mm x 2100mm
- Heavy duty 320gsm Ripstop canvas with insect mesh protection
- Includes heavy duty carry bag
- Lightweight alloy poles
- 70mm high density mattress
- Internal storage pockets/ external shoe, or storage locker



\$375

\$425

SWAG BAG

- Large sizing: 235cm (L) x 100cm (W)
- 300gsm cotton canvas
- - 5°C temperature comfort rating
- Dual layer 360gsm lofty hollow fibre with baffles
- Zip 2 bags together to make double sized sleeping bag
- Includes duffle carry bag



\$140



Quick-Fold Stretcher

- Heavy duty material construction
- High strength steel frame
- Integrated foot and head padding
- Includes carry bag



\$135



150kg
WEIGHT CAPACITY



All prices quoted do not include freight or fitting
Prices quoted are subject to change without notice
Some products may vary depending on vehicle model



FISH ANYWHERE with the
TravelMaster
Multi-Rod

The Ironman 4x4 Travel Master Multi-Rod is the ideal lightweight and portable fishing rod. Facilitating the perfect fishing setup for any situation using nine different rod styles you'll have the ideal setup for little river fishing through to surf fishing at a moment's notice.



\$165

Also Available
TravelMaster
Multi-Rod

3 Prelined
Spools
INCLUDED



\$80

CAMPING AND FISHING PRODUCTS

3 Piece Shovel

- Reinforced cushioned PVC handle
- CNC machined joining threads
- Hardened steel post hole blade
- Long shovel / short handled spade
- Tough storage bag



\$135.45

Mallet, Axe and Axe/ Splitter

- Forged carbon steel heads
- Multi-core fiberglass and PVC moulded handle
- Moulded rubber grip for added comfort



\$15.75

Tent Peg Mallet

- Weight: 0.9kg



\$20.95

Axe

- Weight: 0.7kg



\$62.95

Axe / Splitter

- Weight: (head) 2.0kg

Food Grade Silicone Products

- 1.5L Collapsible kettle with 304 grade stainless steel base and rim
- Collapsible tub reduces to 30mm H and tolerates heat up to 100°C
- Collapsible bucket reduces to 38mm H
- All products are made from durable and hygienic food grade silicone



\$36

10L
CAPACITY

\$59

\$14



9L
CAPACITY

\$34



\$525

44
Ah



Provides power to run 12V and 5V DC appliances

44Ah Portable Power Pack

- Multiple charging options: 240V AC adaptor - 12V DC car adapter - Solar panel via Anderson plug socket
- Digital voltage and amperage meter
- Circuit breaker overload protection
- Warning system for low battery capacity
- 12V DC cigarette lighter socket and 12V DC merit socket
- Individual on/off switches with LED indicator
- 5V DC USB port



\$820

120W Solar Mat Kit

- 22.5% highly efficient SunPower™ monocrystalline C60 solar cells
- 12V Digital, 5 stage 15A PWM (pulse width modulated) weatherproof controller
- 6 x 20W panels, folding down to 40 x 30cm
- Extremely compact and lightweight

6 Person Picnic Set

- 43 Piece set
- Insulated cooler bag

\$99



All prices quoted do not include freight or fitting
Prices quoted are subject to change without notice
Some products may vary depending on vehicle model



EZY-GO TOILET



\$155

\$135

- Easy to use, hand pump flush
- Easy to clean, removable lid and seat
- 12L fresh water storage
- 12L / 20L waste storage tank
- Double sealed drain valve, prevents leaks and odours
- Self contained toilet, no external connections

Flush Aid
\$19



Bush Toilet

- Compact design, folds flat
- Galvanised rust-proof steel
- Supports up to 200kg
- Includes carry bag

\$95

Bush Toilet Bags

- Bio-degradable
- 10 pack of replacement bags

\$11



ECO PRESSURE SHOWER



\$79

12L CAPACITY

- Holds stable water pressure for up to 6 mins
- water temperatures up to 50°C
- Foot pump creates water pressure
- Compact pack flat design

CAMP TOILETS, SHOWERS AND BAGS



\$32

50L CAPACITY

Touring Cargo Bag

- Made with heavy duty, waterproof polyester
- Top and side carry handles
- Durex® buckles



\$69

65L CAPACITY

Explorer Duffle Bag

- 1000D waterproof PVC with side compression straps
- Internal mesh zipper pocket
- Top handles

Rechargeable Outdoor Camp Shower

- Up to 60 mins run time
- Rechargeable 3.7V 2200mAh Lithium Ion battery
- 2L/min average water flow rate
- Car adaptor/USB charger
- On/off flow control switch
- One touch operation



Pump submerged in water



Hold shower head in place



\$69

Multi-Purpose Wheel Carrier Bag

- Made super strong from 1000D PVC with drain holes for easy cleaning
- Reinforced 50mm webbing straps

55L CAPACITY



\$75

All prices quoted do not include freight or fitting
Prices quoted are subject to change without notice
Some products may vary depending on vehicle model



MAXI CASE

- Manufactured from tough LLDPE UV 3.6mm stabilised plastic
- Dust and water resistant - safe for tools, camping gear and electronic equipment
- Lockable heavy duty latches
- Heavy duty spring loaded handles / tie down points
- Removable tool / storage tray*
- Strap over points for added security when in transit
- Interlocking stackable design

48L
Size: 410W x 410 D x 410mm H
Removable tool/storage tray not included

60L
Size: 550 W x 460 D x 335mm H

100L
Size: 700 W x 460 D x 410mm H

140L
Size: 915 Wx 460 D x 440mm H

216L
Size: 1300 Wx 460 D x 460mm H



\$155

\$195

\$245

\$310

\$399



Removable tool/storage tray not included in 48L

MAXI CASES, TOOL BOXES AND UTE BOXES

ALUMINIUM TOOL BOXES

- Powdercoated white
- T-Lock handles
- Stainless steel piano hinges
- Twin doors
- Gas struts
- Lock water caps



\$480
Size: 950 x 600 x 500mm

Low Profile

- Stainless piano hinge
- Water caps on locks

Size: 1250 x 600 x 500mm

\$610



Gull Wing Truck Box

- Twin door

Size: 1770 x 550 x 400mm

\$660



One-Tonner

- Stainless piano hinge
- Water caps on locks

Size: 900 x 500 x 680mm

\$610



\$726

Size: 1210 x 500 x 680mm



Steel Truck Box

- Powdercoated white finish
- Sealed bearing on slides
- Heavy duty side handles
- Fully welded
- T-Lock handles

\$1375

Size: 1210 x 640 x 750mm



\$960

Size: 700 x 640 x 750mm



UTE BOX

- High profile to sit above the ute rail
- Heavy duty double lock
- Waterproof and dust proof
- Heavy duty with stay open lid

Ute Box

- Size: 1320 x 505 x 475mm
- 140L Capacity

\$550



Ute Box Extra

- Size: 1400 x 540 x 540mm
- 200L Capacity

\$575



All prices quoted do not include freight or fitting
Prices quoted are subject to change without notice
Some products may vary depending on vehicle model



BOOKS, MERCHANDISE AND CLOTHING

Ironman 4x4 Atlas Australia

- Mapped at 1:950000 scale
- GPS compatible with latitude and longitude grid

The Australian 4WD Handbook

- Limited edition
- Complete off-road bible

How to's, driving techniques, recovery, accessories, navigation and communication, modern vehicle types and environments



Oil Skin Jackets and Vests

Capricorn Vest

- Quality 12oz. oilskin
- Heavy duty YKK zips
- Nubuck leather lined collar
- Generous sizing and fit
- Large pockets with adjustable side tabs
- Nylon weather shield around waist



Cooper Jacket

- Quality 12oz. oilskin
- Heavy duty YKK zips
- Nubuck leather lined collar
- Detachable hood
- Two way pockets and map zip pocket
- Underarm eyelets for ventilation
- Adjustable waist draw cord



Sizes Available:
S, M, L, XL, XXL, XXXL, XXXXL



Drink Holders

Keyrings



Discover OZ Productions Top of Down Under (DVD)

- Join Penny Wells and the Discover Oz Crew as they explore Australia's remote regions
- Vol: 2, 3, 4, 5 and 6 available.
- Ironman 4x4 Adventure Challenge WA 2012, 2013, and 2014 DVD's



Drink Bottles

- 600ml Stainless steel

Cap



A	4WD Handbook Complete off-road bible	\$44
B	Ironman 4x4 Atlas High detailed 4WD tracks	\$35
C	Capricorn Vest Extreme weather protection	\$160
D	Cooper Jacket Extreme weather protection	\$265
E	Drink Holders Insulated drink cooler	\$4.00
F	Bottle Opener Keyring Keep a bottle opener handy	\$2.00
G	Logo Keyring Show you're a fan of us	\$1.50
H	Adventure Challenge WA off-road challenge	\$30
I	Top of Down Under See Penny Wells around Oz	\$37
J	Drink Bottles 600ml with integrated staw	\$12
K	Cap Adjustable sizing	\$10

All prices quoted do not include freight or fitting
Prices quoted are subject to change without notice
Some products may vary depending on vehicle model



Family Owned Australian Company
Since 1958



VICTORIA

2-8 Bessemer Drive,
Dandenong Sth, VIC 3175

QUEENSLAND

79 Kremzow Road,
Brendale, QLD 4500

NEW SOUTH WALES

22 Yilen Close,
Beresfield, NSW 2322

SOUTH AUSTRALIA

36-38 Millers Road,
Wingfield, SA 5013

WESTERN AUSTRALIA

Cnr Baile Rd and Craft St,
Canning Vale, WA 6155

Products available from over 800 stores Australia wide
For your nearest distributor call 1300 731 137 or visit us at:
www.ironman4x4.com



Find us on Facebook
facebook.com/Ironman4x4au

Prices do not include freight or fitting. Prices are subject to change without notice. Colours and styles may vary to those displayed. Some products may vary depending on vehicle model.

Our goods come with guarantees that cannot be excluded under the Australian Consumer Law. You are entitled to a replacement or refund for a major failure and for compensation for any other reasonably foreseeable loss or damage. You are also entitled to have the goods repaired or replaced if the goods fail to be of acceptable quality and the failure does not amount to a major failure. E&OE.

AUSMMPCEVERS150818